

建湖县鸿达阀门管件有限公司

生命周期评价报告

产品名称： 手动平板阀

型 号： PFF65-70

评价机构名称（公章）：盐城市中环节能技术服务中心

报 告 日 期：2023年4月



1. 1

PFF65-70

PFF65-70

PFF65-70

PFF65-70

1. 2

: 91320925608676586K

666

15371190508

1998

AAA

20288

20

175MPa

175MPa

180/140

140MPa

15MPa

ISO-9001

DNV

ISO-14001

ISO 18000

ISO 10012

API Q1 6A API 16A

API 16C API 5CT

DMG

100

20

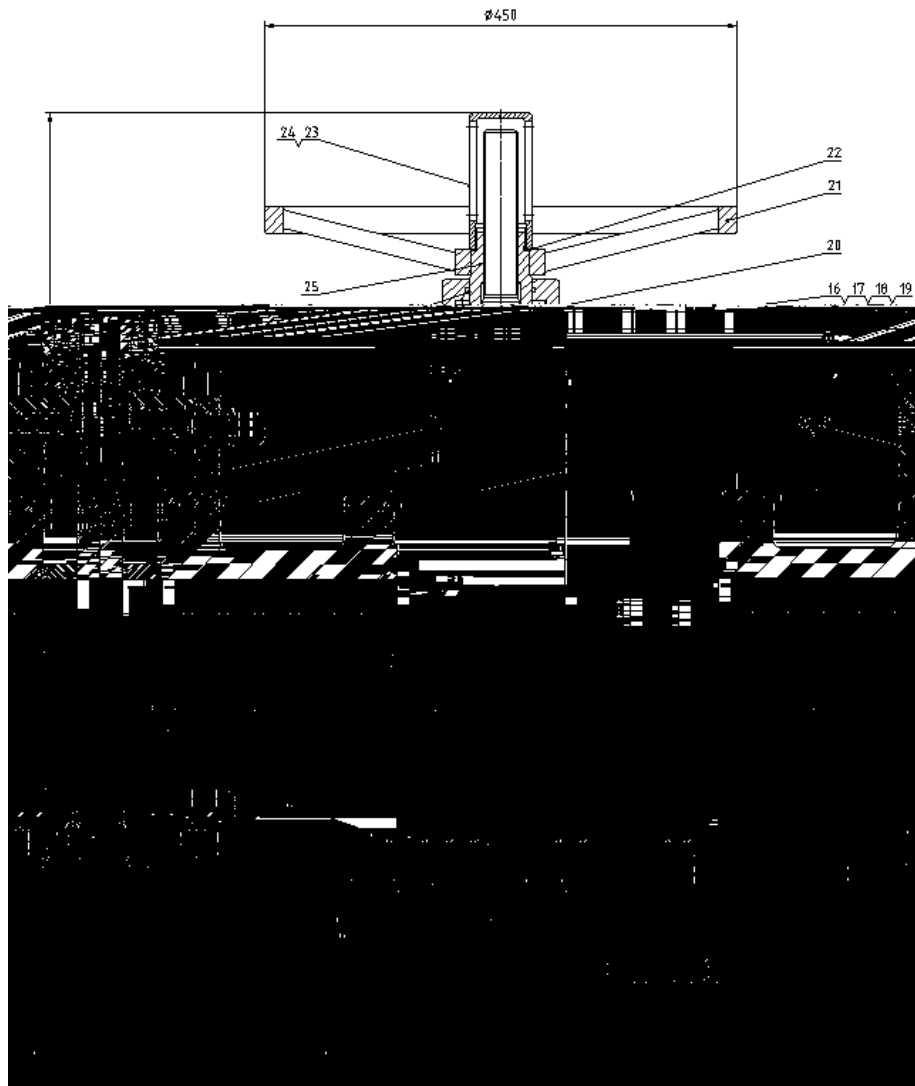
1.3

1-1

	/PFF65-70
	/PFF65-70
	565mm
	228mm

	824mm
kg/	167.45

1-1 :



1.4

GB/T 32161-2015

GB/T 191

GB/T18455

GB/T 22513-2013

API 6A-2018 21

GB 17167

GB/T19001

GB/T24001

GB/T24040

GB/T24044

2.1

2.1.1

/PFF65-70

1-1

2022.01.01 2022.12.31

/PFF65-70

800

20000

2.1.2

1

PFF65-70

2.1.3

GB/T 32161-2015

GB/T24040

GB/T24044

2. 1. 4

Gabi eBalance

LCA

2. 2

2. 2. 1

a)

LCA

1

99. 99

0. 1

5

b)

c)

1

5

2. 2. 2

/PFF65-70

+

2. 2. 3

1

2

LCA

3

LCA

4

LCA

1

2

3

/PFF65-70

Bill of

Material , BOM)





3.1 LCA

Gabi

3-3 LCA

	PS								
			PS						
ADP elements	0.32%	0.01%	0.00%	0.03%	0.00%	99.62%	0.01%	0.00%	100.00%
ADP fossil	30.75%	0.35%	0.02%	0.04%	0.47%	0.37%	67.93%	0.06%	100.00%
AP	29.21%	0.64%	0.00%	0.21%	0.20%	0.08%	69.63%	0.03%	100.00%
EP	0.03%	0.00%	0.00%	0.00%	0.00%	99.88%	0.08%	0.00%	100.00%
FAETP,	0.18%	0.06%	0.00%	0.01%	0.26%	99.14%	0.36%	0.00%	100.00%
GWP	30.76%	0.31%	0.01%	0.04%	0.12%	0.11%	68.61%	0.04%	100.00%
HTP	30.76%	0.31%	0.01%	0.04%	0.12%	0.04%	68.69%	0.04%	100.00%
MAETP	10.14%	49.54%	0.00%	0.44%	1.13%	-0.22%	38.95%	0.02%	100.00%
POCP	36.93%	0.99%	0.00%	0.24%	1.05%	0.04%	60.72%	0.02%	100.00%
ODP	0.00%	0.00%	0.00%	0.00%	99.99%	0.00%	0.00%	0.00%	100.00%
TETP	1.59%	0.01%	0.00%	0.00%	0.31%	95.13%	2.95%	0.00%	100.00%

3.3

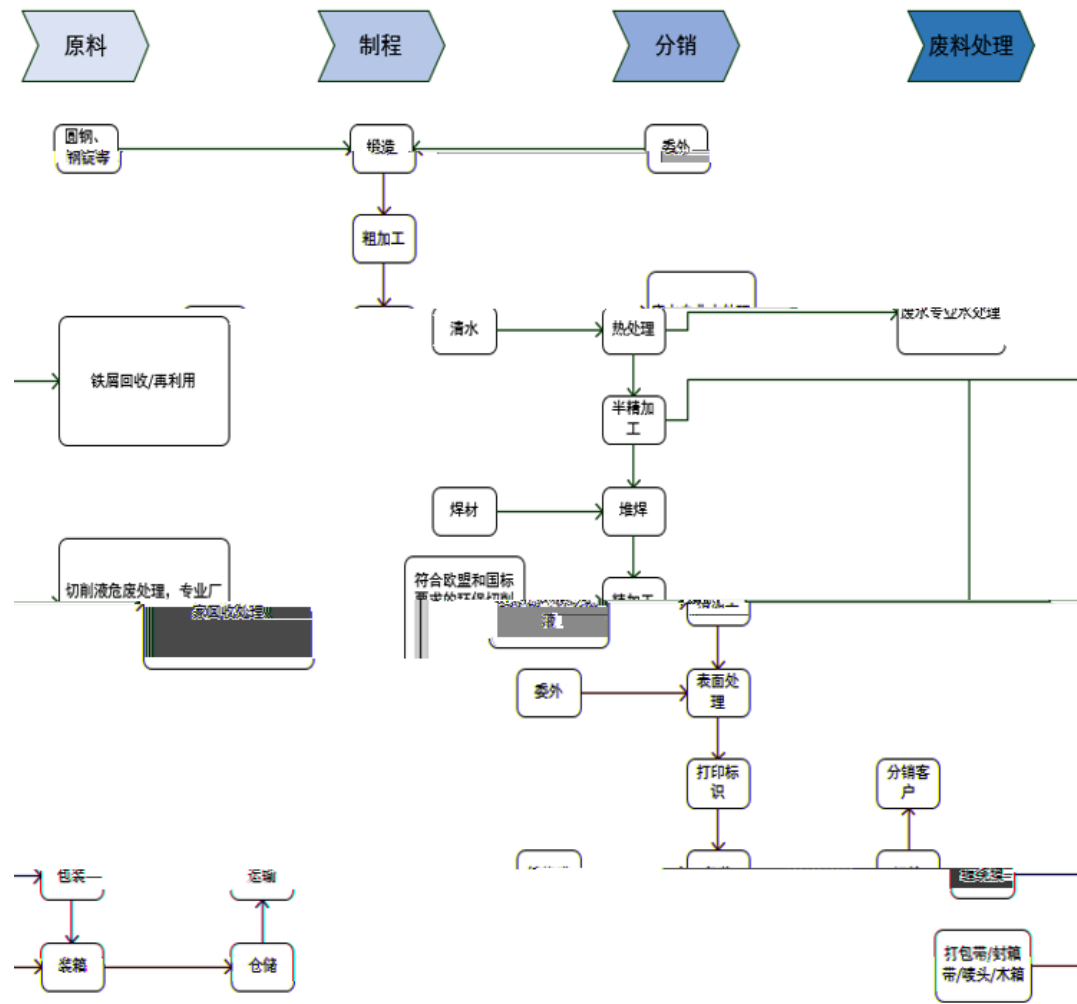
LCA

+



4. 1

4. 2



2022 1

PFF65-70

70 eW n. 0870

